



US00D823465S

(12) **United States Design Patent** (10) **Patent No.:** **US D823,465 S**
Eacock et al. (45) **Date of Patent:** **** Jul. 17, 2018**

(54) **ENDOSCOPIC TOOL CONNECTOR**

(71) Applicant: **Interscope, Inc.**, Whitinsville, MA (US)

(72) Inventors: **Graham Eacock**, Westborough, MA (US); **Stephen K. Guerrero**, Holliston, MA (US); **Mark Anthony Begley**, West Barnstable, MA (US); **Sarah Kostanski**, Chelmsford, MA (US); **Jeffery Bennith Ryan, Jr.**, Whitinsville, MA (US)

(73) Assignee: **INTERSCOPE, INC.**, Whitinsville, MA (US)

(**) Term: **15 Years**

(21) Appl. No.: **29/545,289**

(22) Filed: **Nov. 11, 2015**

(51) **LOC (11) Cl.** **D24-02**

(52) **U.S. Cl.**
USPC **D24/129; D24/138**

(58) **Field of Classification Search**
USPC ... D24/110.6, 112, 127, 129, 133, 137, 138, D24/140; D23/262
CPC ... A61B 1/00121; A61B 1/04; A61B 1/00066; A61B 1/00119; A61B 1/005; A61B 1/0669; A61B 1/00112
See application file for complete search history.

(56) **References Cited**

U.S. PATENT DOCUMENTS

D204,670	S	*	5/1966	Gilson	D24/129
D435,653	S	*	12/2000	Niedospial, Jr.	D24/129
D536,449	S	*	2/2007	Nakajima	D24/138
D589,618	S	*	3/2009	Hasebe	D24/133
D593,679	S	*	6/2009	Bartlett	D24/130
D620,107	S	*	7/2010	Bartlett	D24/112
D635,668	S	*	4/2011	Bartlett	D24/112
D720,452	S	*	12/2014	Jordan	D24/130
D780,916	S	*	3/2017	Ogura	D24/138

D784,529	S	*	4/2017	Steele	D24/129
2007/0129705	A1	*	6/2007	Trombley, III	A61M 39/10 604/523
2011/0298209	A1	*	12/2011	Nguyen	A61M 39/10 285/321
2017/0172396	A1	*	6/2017	Nguyen	A61B 1/121

OTHER PUBLICATIONS

The EndoRotor Mucosal Resection System Procedural Guide. LAB-0002 REV D. Interscope Inc. Date published: 2017.*
The EndoRotor Mucosal Resection System Procedural Guide. LAB-0005 REV D. Interscope Inc. Date published: 2017.*

* cited by examiner

Primary Examiner — Karen E Kearney

Assistant Examiner — Lilyana Bekic

(74) *Attorney, Agent, or Firm* — Shabbi S. Khan; Nikhil T. Pradhan; Foley & Lardner LLP

(57) **CLAIM**

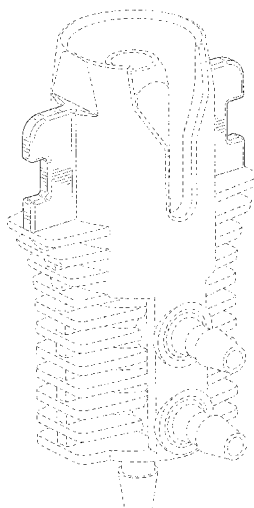
We claim the ornamental design for an endoscopic tool connector, as shown and described.

DESCRIPTION

FIG. 1 is a front left perspective view of the endoscopic tool connector showing the new design;
FIG. 2 is a front perspective view thereof;
FIG. 3 is a front elevation view thereof;
FIG. 4 is a rear elevation view thereof;
FIG. 5 is a bottom plan view thereof;
FIG. 6 is a top plan view thereof;
FIG. 7 is a left elevation view thereof; and,
FIG. 8 is a right elevation view thereof.

The broken lines in the drawings form no part of the claimed design. The dash-dot-dash broken lines depict the boundaries of the claimed design and form no part thereof. The dash-dash broken line illustrate portions of the endoscopic tool connector that form no part of the claimed design.

1 Claim, 7 Drawing Sheets



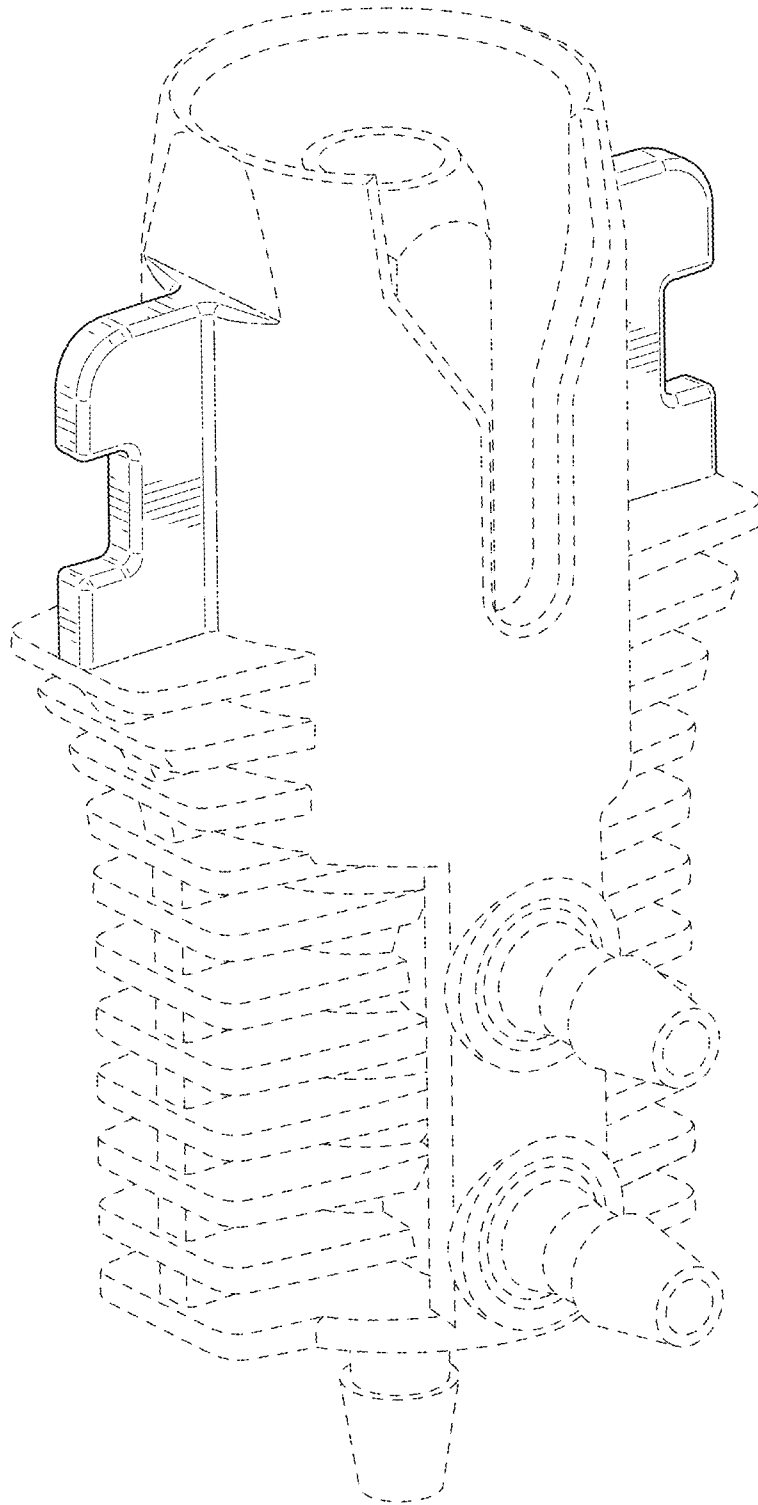


FIG. 1

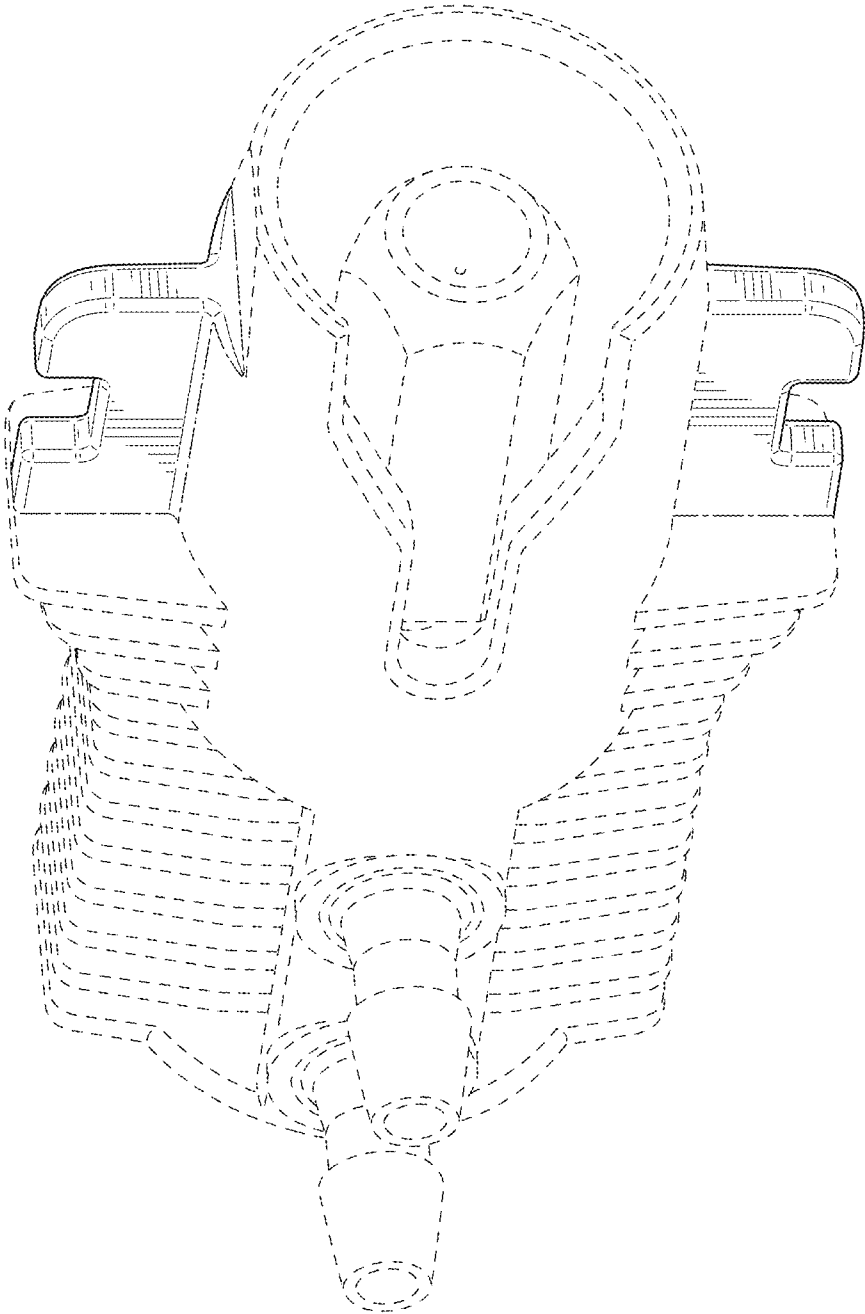


FIG. 2

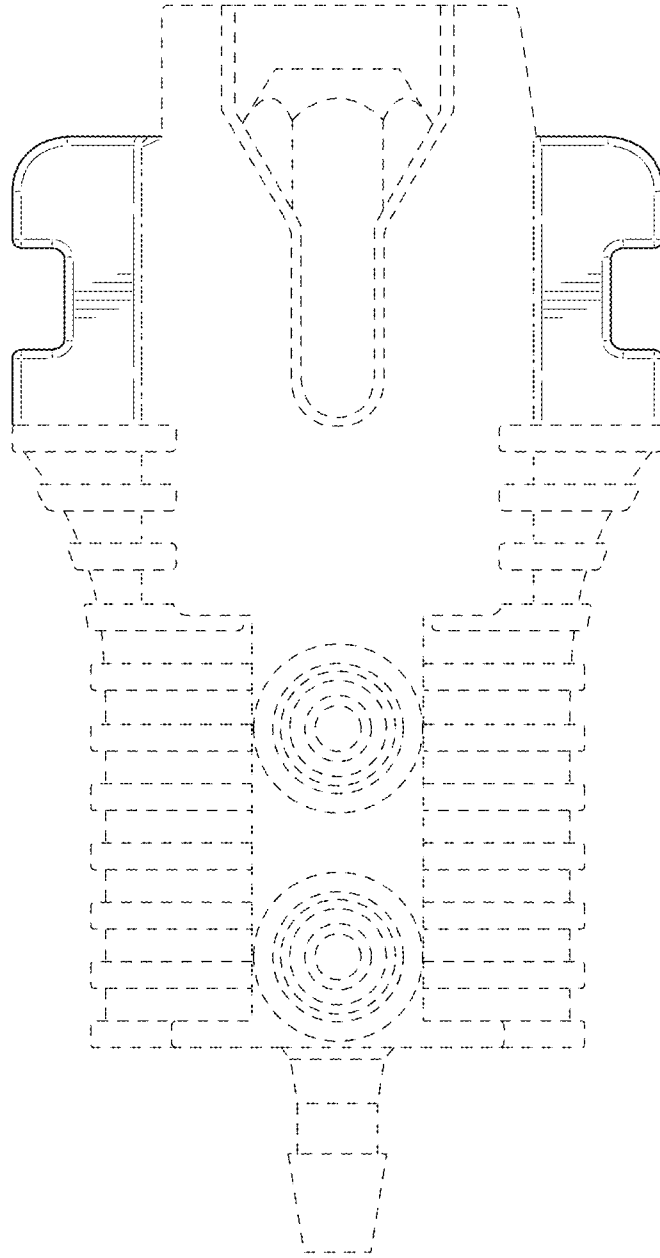


FIG. 3

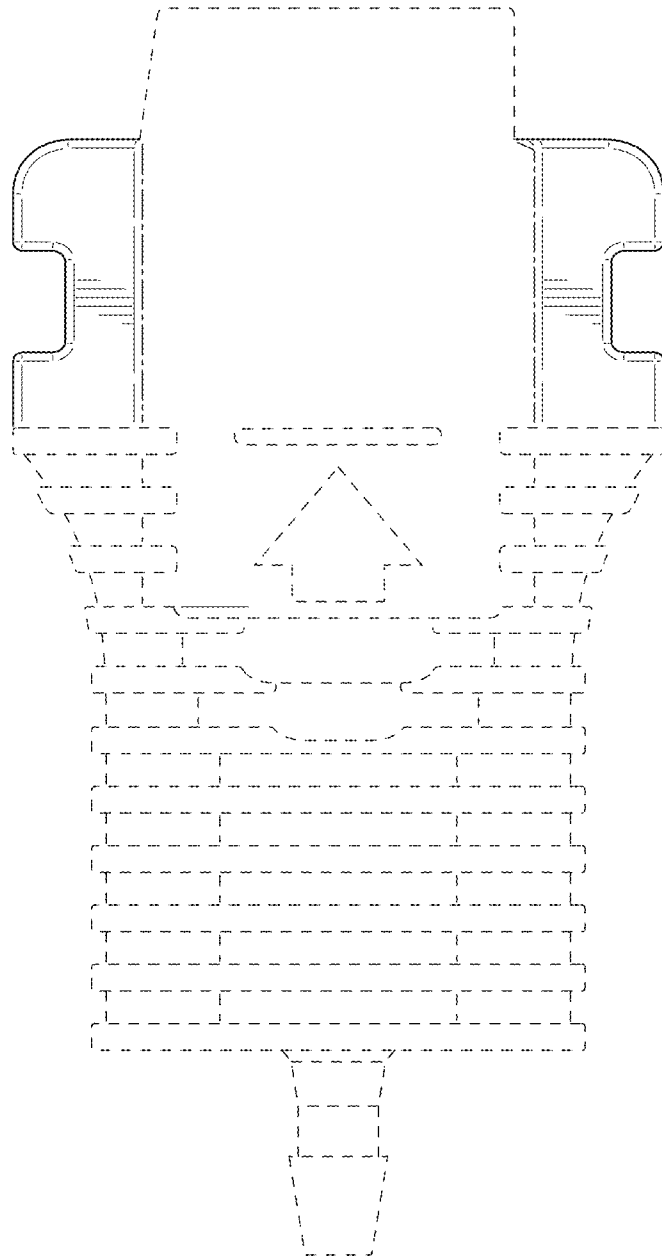


FIG. 4

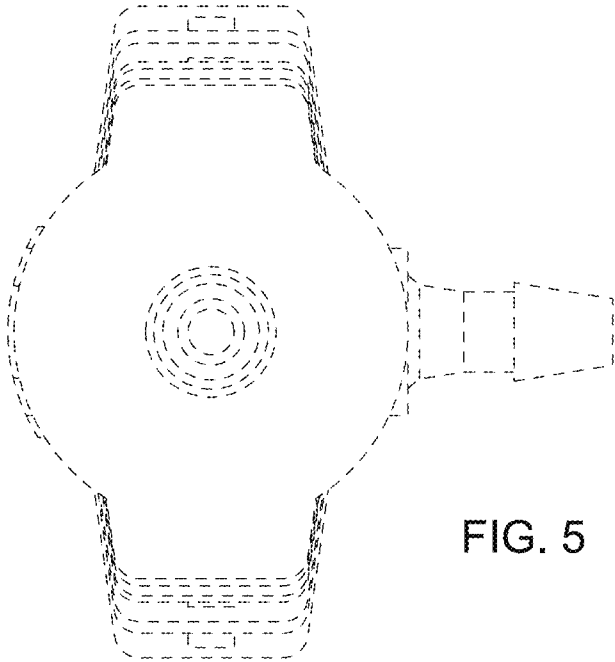


FIG. 5

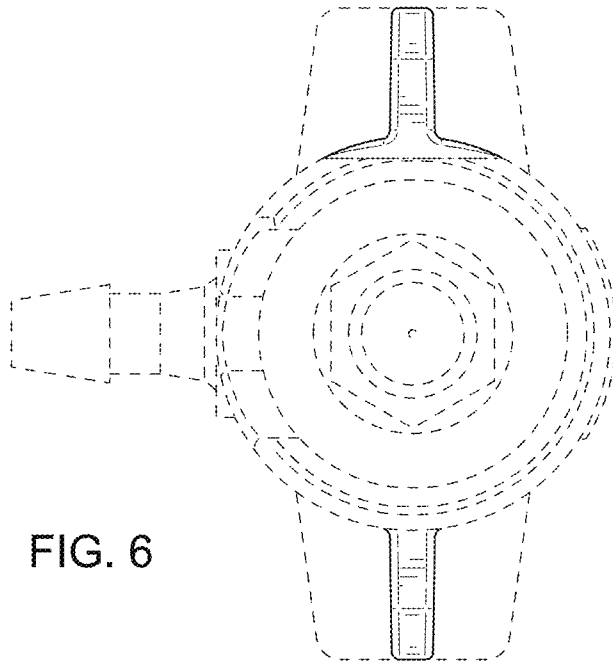


FIG. 6

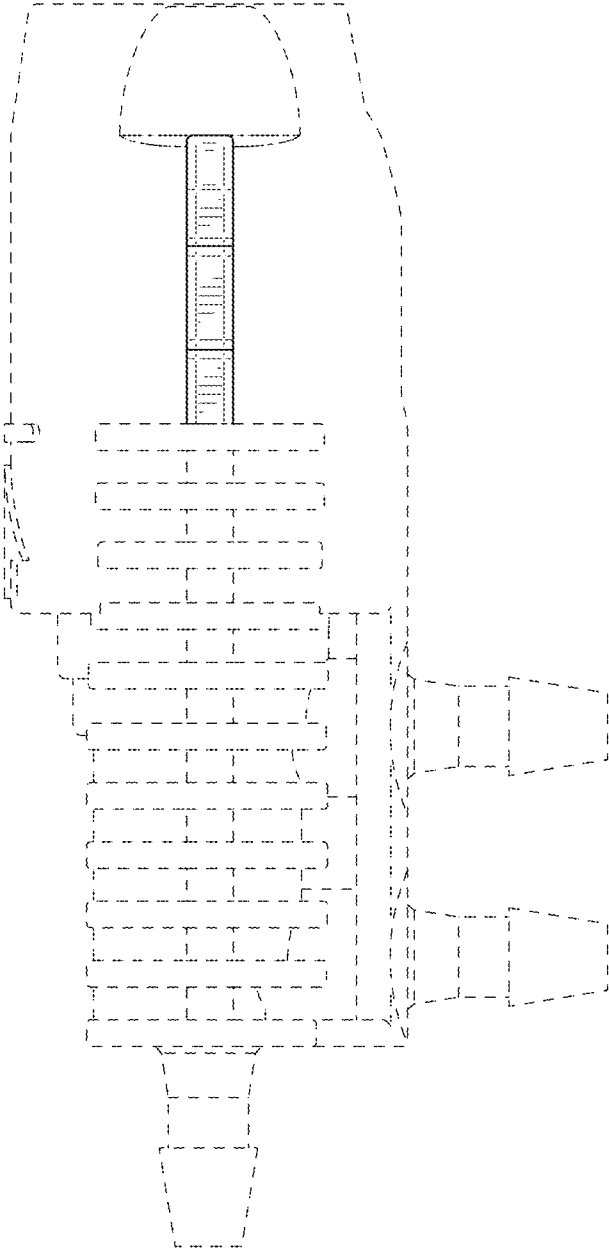


FIG. 7

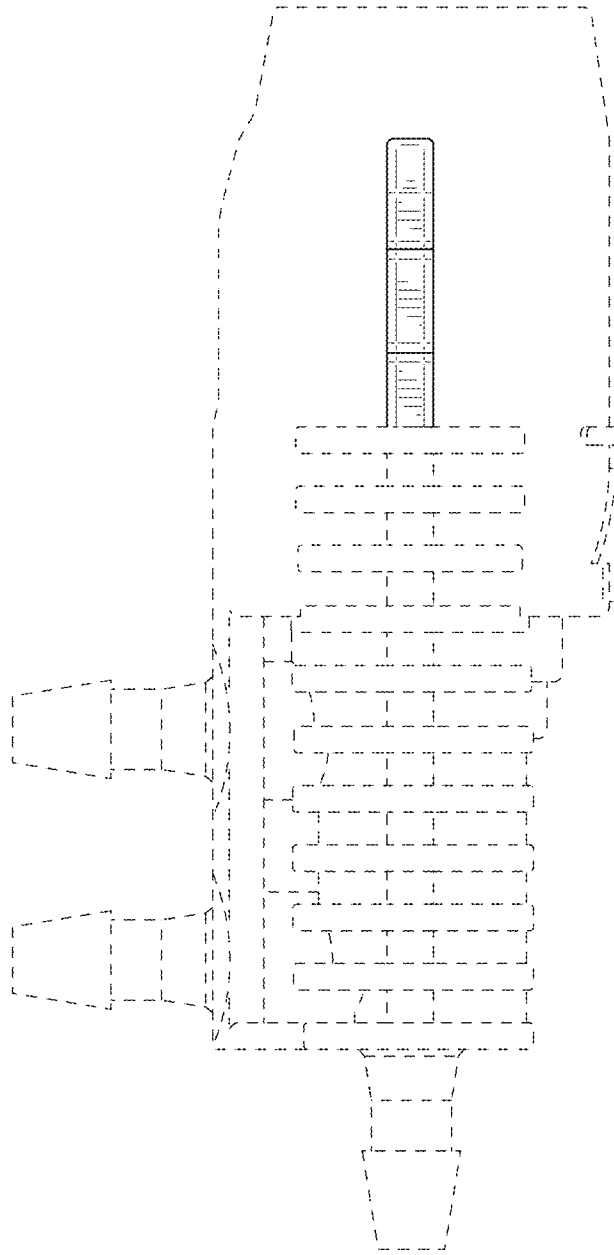


FIG. 8