



US00D958343S

(12) **United States Design Patent** (10) **Patent No.:** **US D958,343 S**  
**Marcoux et al.** (45) **Date of Patent:** **\*\* Jul. 19, 2022**

(54) **DISPOSABLE TOOL**

(56) **References Cited**

(71) Applicant: **Interscope, Inc.**, Whitinsville, MA (US)

U.S. PATENT DOCUMENTS

(72) Inventors: **Michael Walter Marcoux**, Jamaica Plain, MA (US); **Kristen Dodds Weight**, Stow, MA (US); **Sarah Kostanski**, Chelmsford, MA (US); **Jeffery Bennith Ryan, Jr.**, Whitinsville, MA (US)

5,259,366 A 11/1993 Reydel et al.  
6,010,515 A 1/2000 Swain et al.  
6,740,030 B2 5/2004 Martone et al.  
D598,545 S \* 8/2009 Haines, III ..... D24/137  
D655,002 S \* 2/2012 Bast ..... D8/83  
D655,413 S \* 3/2012 Nino ..... D24/133

(Continued)

(73) Assignee: **INTERSCOPE, INC.**, Whitinsville, MA (US)

OTHER PUBLICATIONS

Non-Final U.S. Office Action issued for U.S. Appl. No. 29/545,290 dated Oct. 30, 2018 (7 pages).

(Continued)

(\*\*) Term: **15 Years**

*Primary Examiner* — Eliza Z Harvey

(21) Appl. No.: **29/700,667**

(74) *Attorney, Agent, or Firm* — Foley & Lardner LLP

(22) Filed: **Aug. 5, 2019**

(57) **CLAIM**

We claim the ornamental design for a disposable tool, as shown and described.

**Related U.S. Application Data**

**DESCRIPTION**

(60) Division of application No. 29/545,290, filed on Nov. 11, 2015, now Pat. No. Des. 855,802, which is a continuation-in-part of application No. 14/501,957, filed on Sep. 30, 2014, now Pat. No. 9,204,868, which is a continuation-in-part of application No. 14/280,202, filed on May 16, 2014, now Pat. No. 8,882,680, which is a continuation-in-part of application No. 13/336,491, filed on Dec. 23, 2011, now Pat. No. 9,808,146.

FIG. 1 is a bottom, front, left perspective view of the claimed design;

FIG. 2 is a top, rear, right perspective view thereof;

FIG. 3 is a front elevation view thereof;

FIG. 4 is a rear elevation view thereof;

FIG. 5 is a top plan view thereof;

FIG. 6 is a bottom plan view thereof;

FIG. 7 is a left elevation view thereof; and,

FIG. 8 is a right elevation view thereof.

The ornamental design which is claimed is shown in solid lines in the drawings. The broken lines in the drawings form no part of the claimed design. Broken lines formed by equal length dashes show unclaimed subject matter.

The disposable tool is shown with a symbolic break in its length. The appearance of any portion of the article between the break lines forms no part of the claimed design.

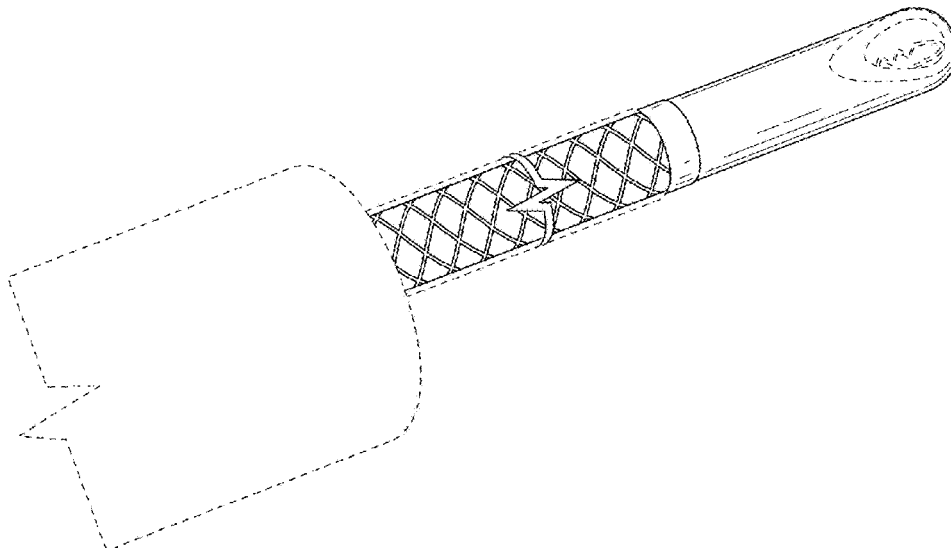
(51) **LOC (13) Cl.** ..... **24-02**

(52) **U.S. Cl.**  
USPC ..... **D24/138**

(58) **Field of Classification Search**  
USPC ..... D24/108, 113, 127, 138, 137, 133, 147,  
D24/144

CPC ..... A61B 1/005  
See application file for complete search history.

**1 Claim, 5 Drawing Sheets**



(56)

**References Cited**

U.S. PATENT DOCUMENTS

8,343,047	B2	1/2013	Albrecht et al.	
8,480,689	B2	7/2013	Spivey et al.	
8,506,564	B2	8/2013	Long et al.	
8,939,897	B2	1/2015	Nobis	
9,005,220	B2	4/2015	Wallace et al.	
D780,916	S *	3/2017	Ogura .....	D24/138
D791,941	S *	7/2017	Burachynsky .....	D24/133
D855,802	S *	8/2019	Marcoux .....	D24/138
2006/0064113	A1	3/2006	Nakao	
2007/0203395	A1	8/2007	Mikkaichi	
2010/0016757	A1	1/2010	Greenburg et al.	
2011/0257477	A1	10/2011	McWeeney	
2014/0249448	A1	9/2014	Furlong et al.	

OTHER PUBLICATIONS

U.S. Notice of Allowance issued for Appl. U.S. Appl. No. 29/545,290 dated Mar. 7, 2019 (6 pages).

\* cited by examiner

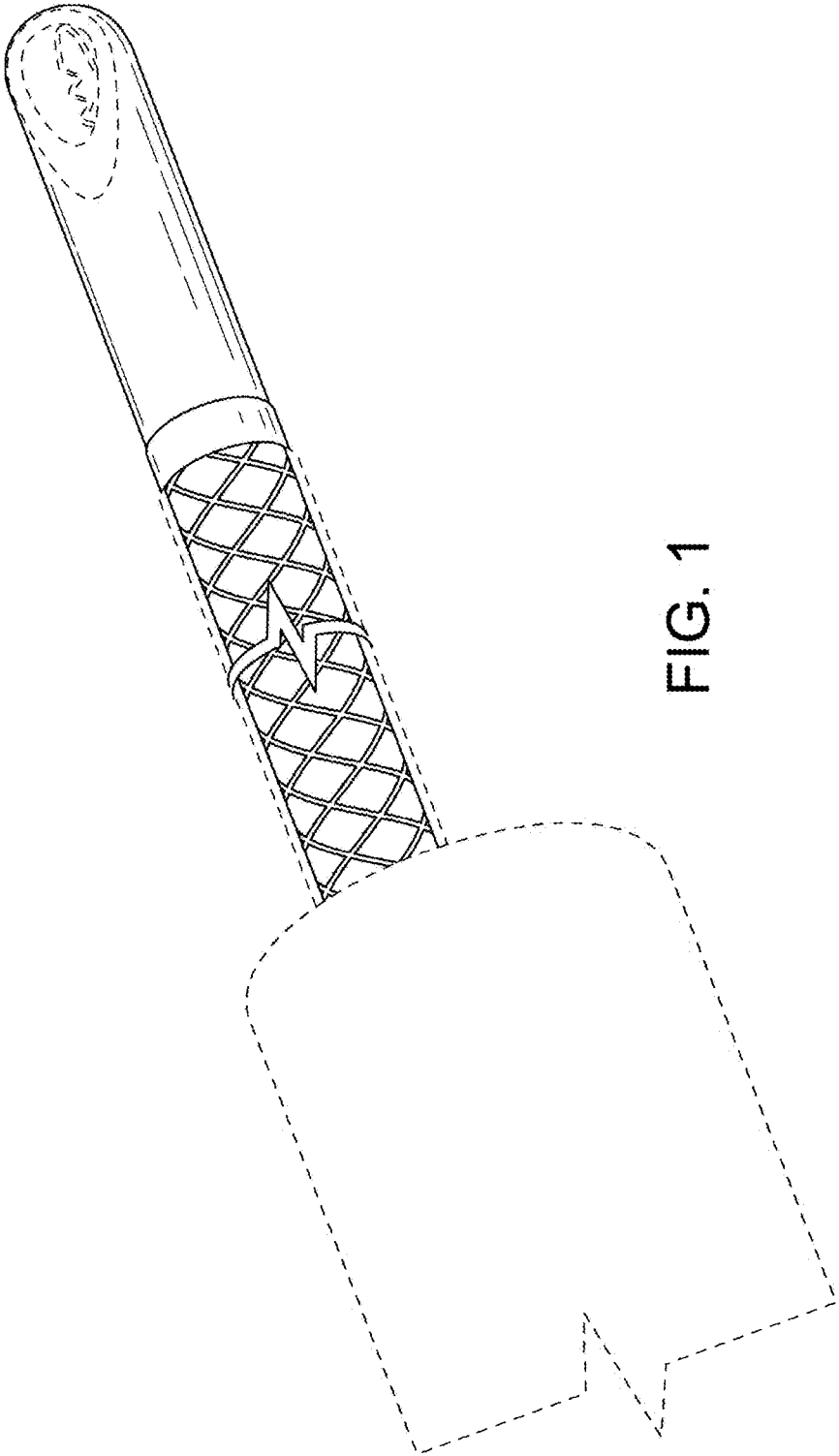


FIG. 1

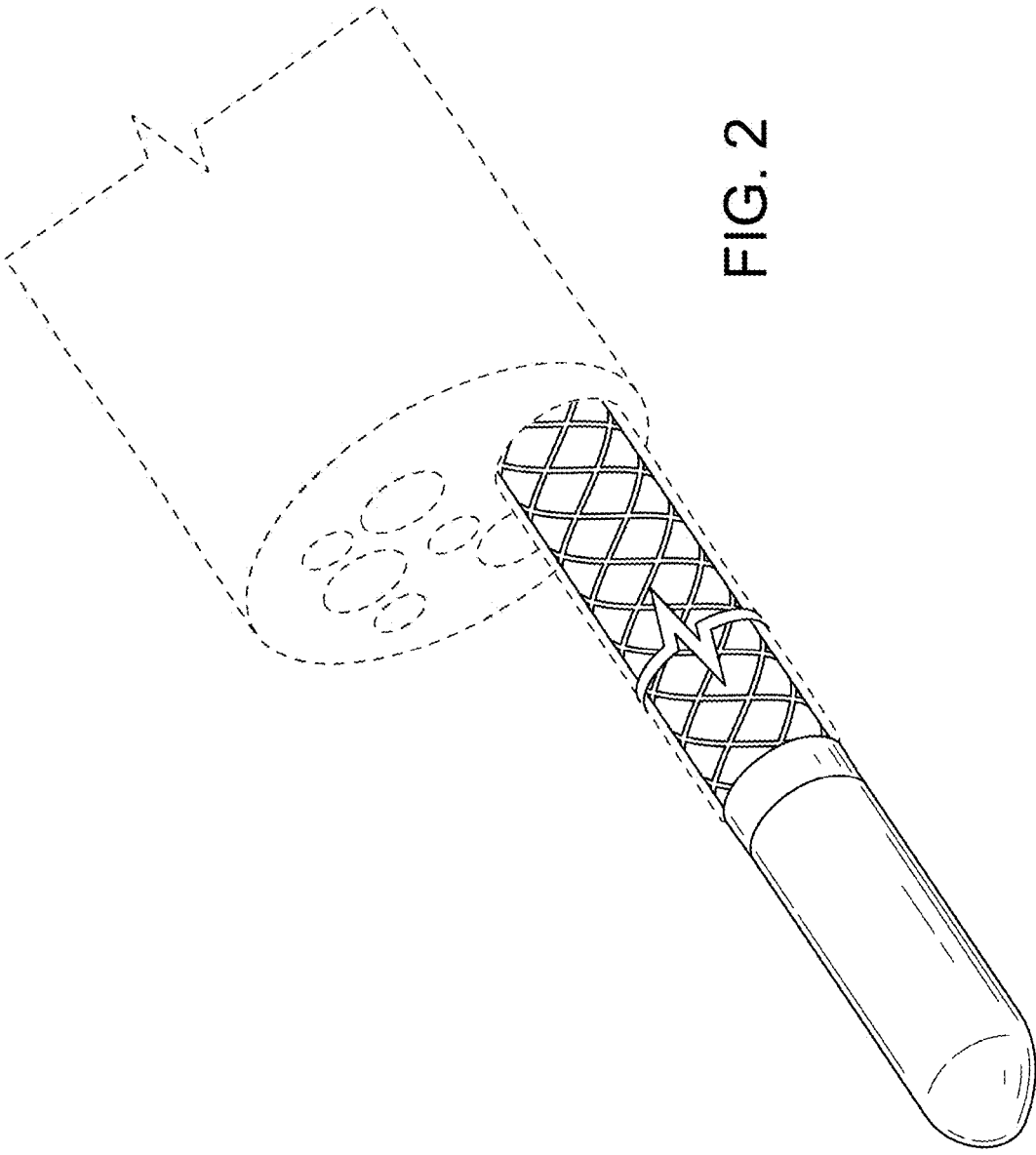
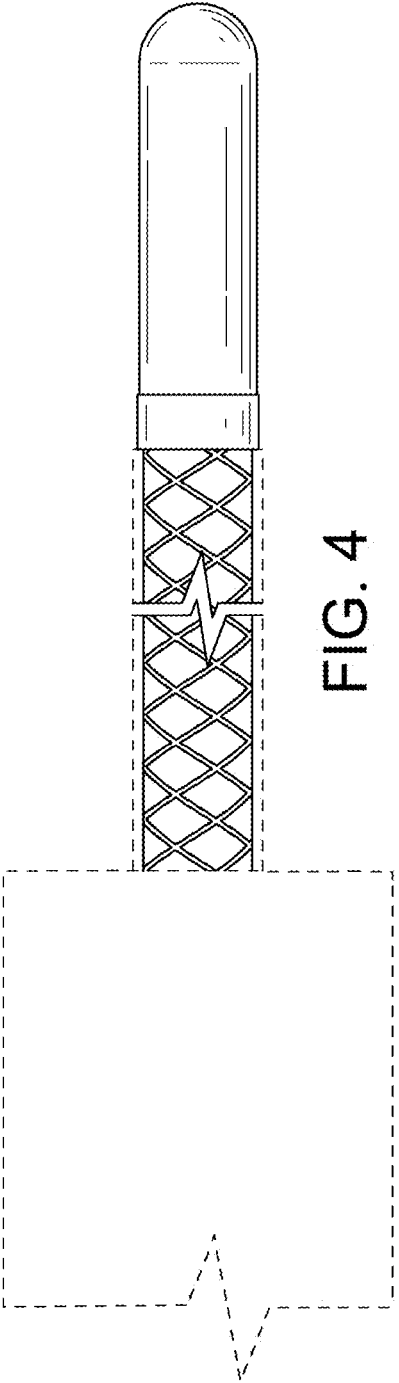
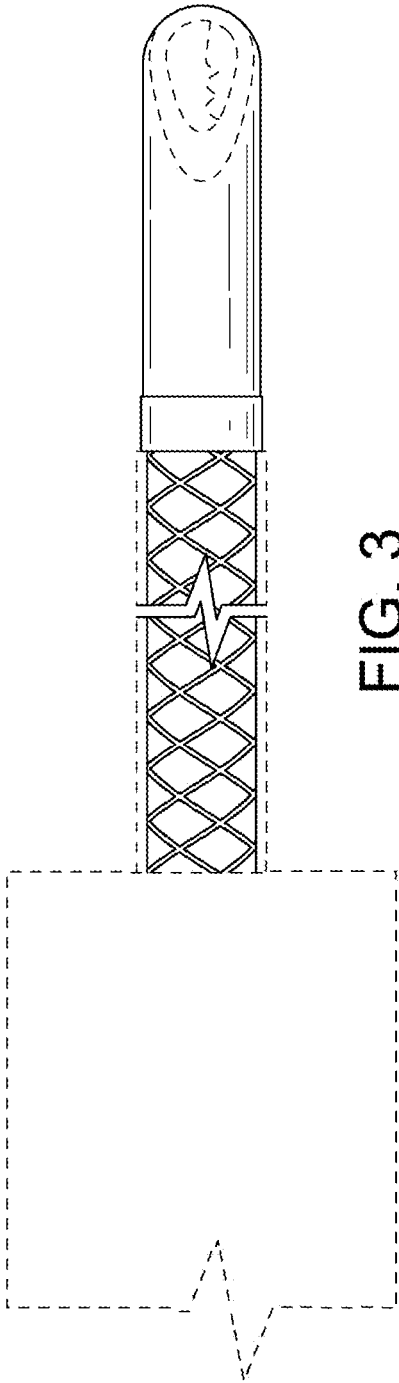


FIG. 2



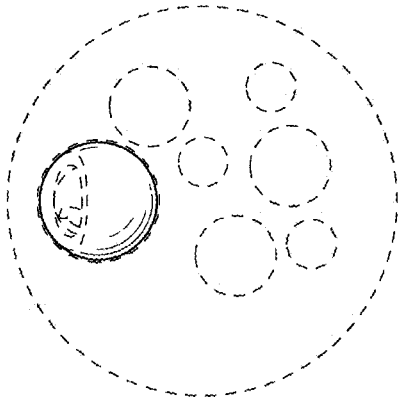


FIG. 5

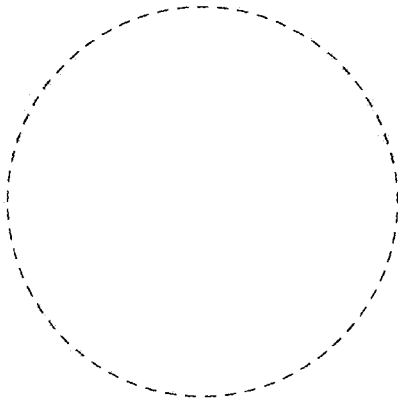


FIG. 6

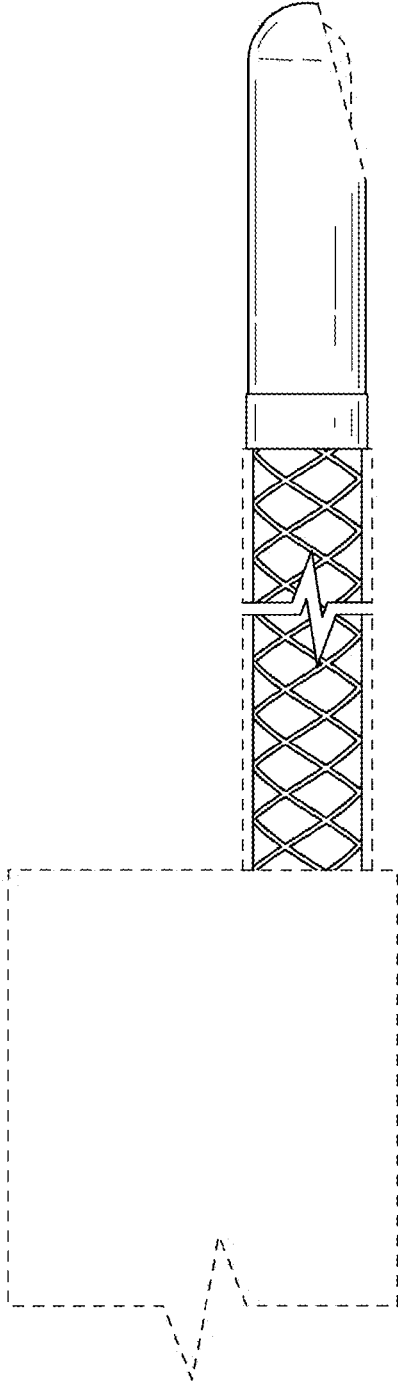


FIG. 7

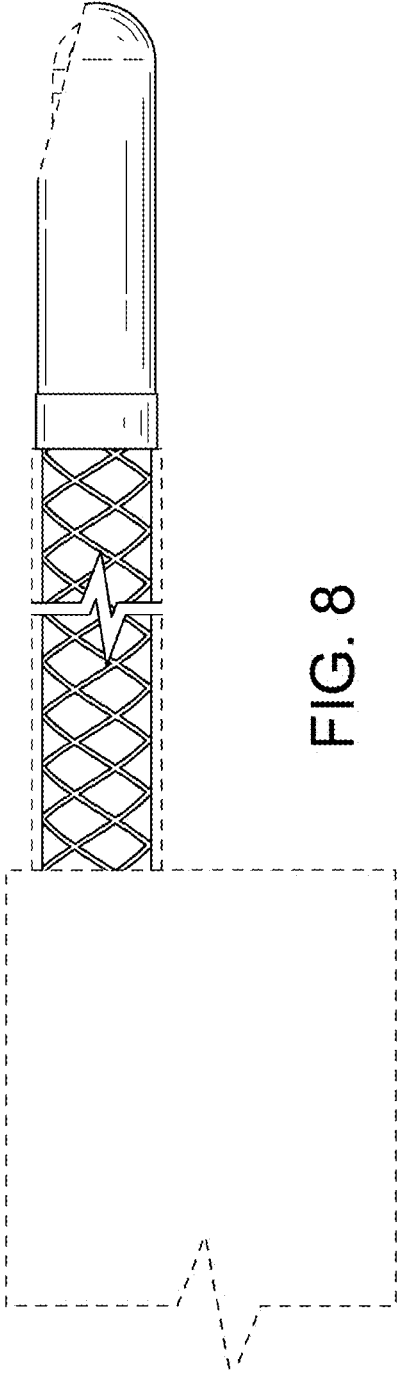


FIG. 8